

ELEMENTS

FIXED ELEMENTS

LALA



LALA

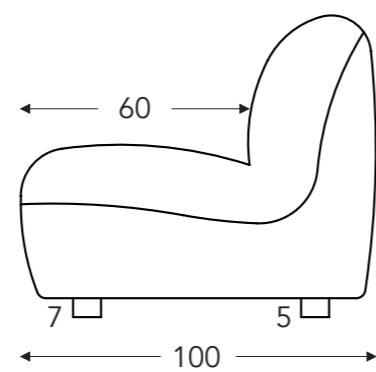
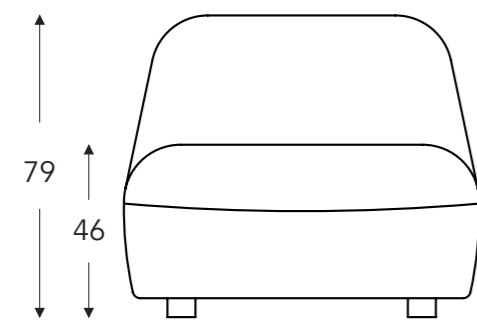
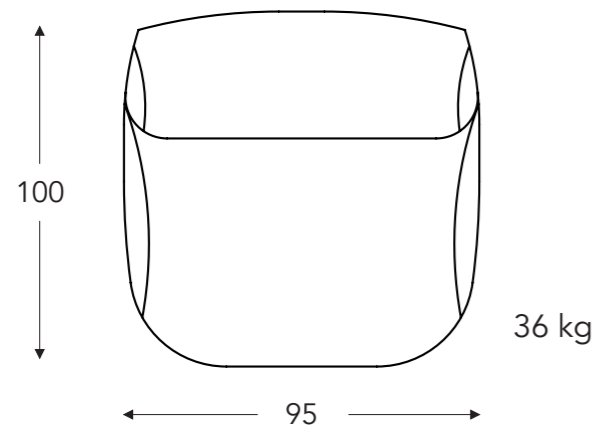


FIXED ELEMENTS

10-10K

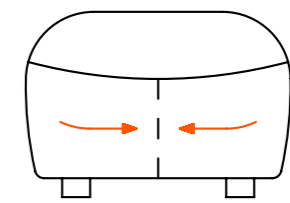
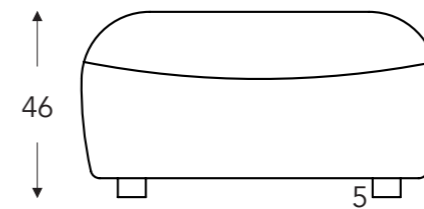
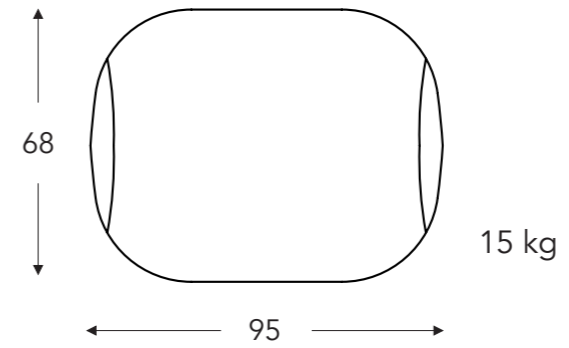
10 - 1 seater

10K - 1 seater linked



90

Footstool



ATTENTION :
Thread direction may cause
color difference !

(Tolerance on dimensions $\pm 3\%$)

